

REPLACING A LEAKY O-RING IN VALVE:

BEHIND BELLOWS AREA

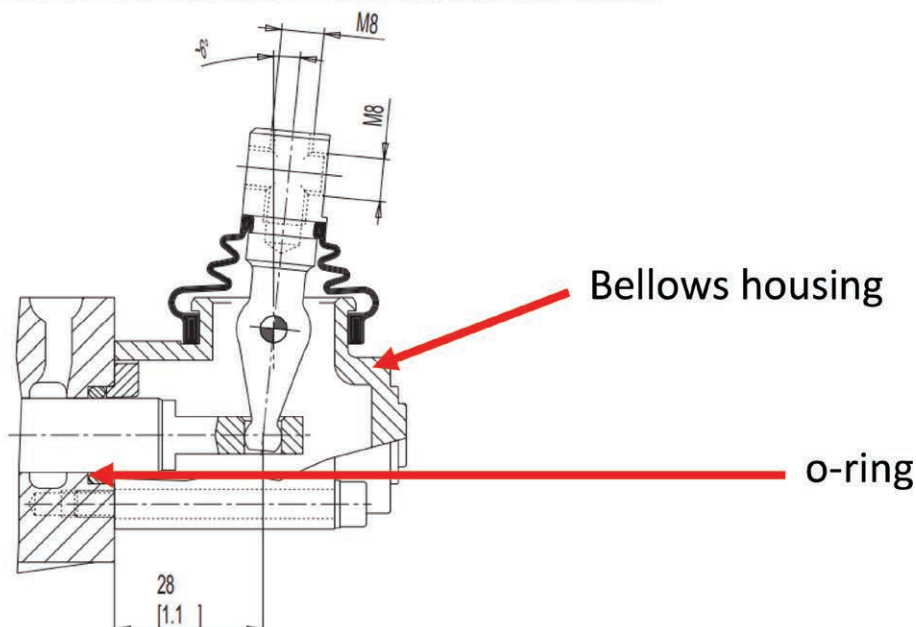


WARNING!

HYDRAULIC FLUID MAY BE UNDER PRESSURE – RELEASE ALL RESIDUAL PRESSURE IN THE SYSTEM.

INSTRUCTIONS

1. Turn off hydraulic pump and operate all levers to release any residual pressure in the system.
2. On the leaking valve, remove the 2 screws on the front of the bellows housing.



3. Pull the bellows housing outward. This may also pull out the valve.
4. Lift up on valve handle to disengage.
5. When valve bellows housing is clear of valve bank, remove and replace o-ring, which should be lubricated with grease.
6. Reinstall bellows housing, ensuring the valve handle pivot is in the valve as shown above.
7. Install bellows housing screws and snug up – do not overtighten.
8. Operate valve handle to ensure everything is working properly.
9. Turn on hydraulic pump and test all functions.

FURTHER ASSISTANCE

If you require further information or technical assistance, contact Arrowquip Client Care at 1-866-383-7827 or cs@arrowquip.com.

