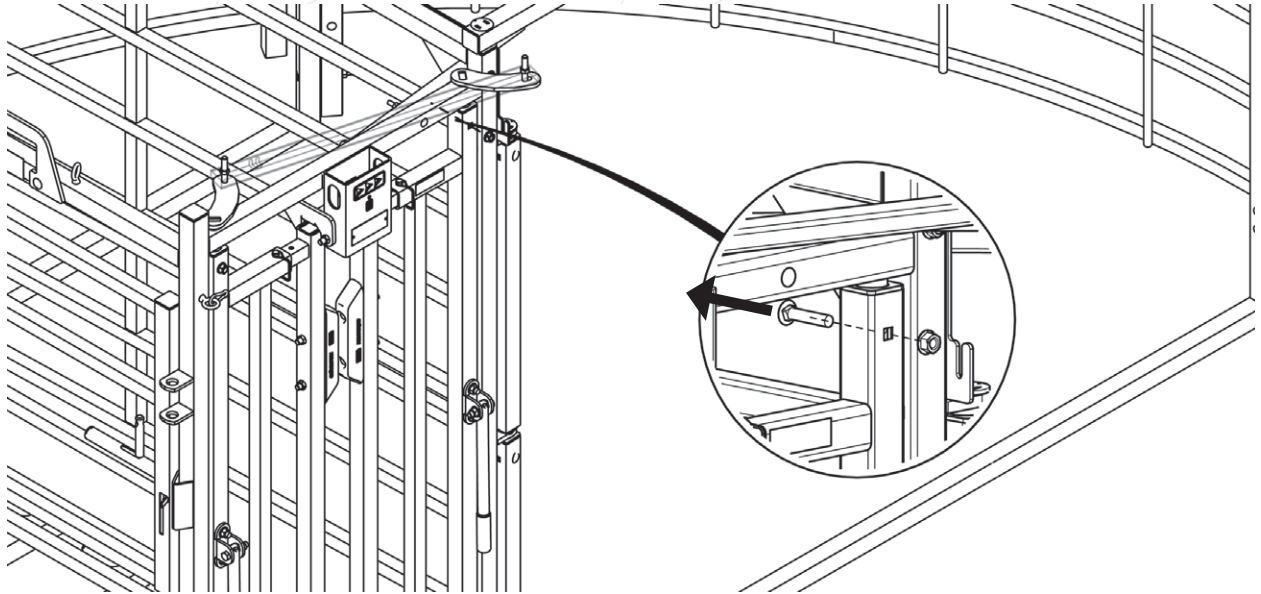


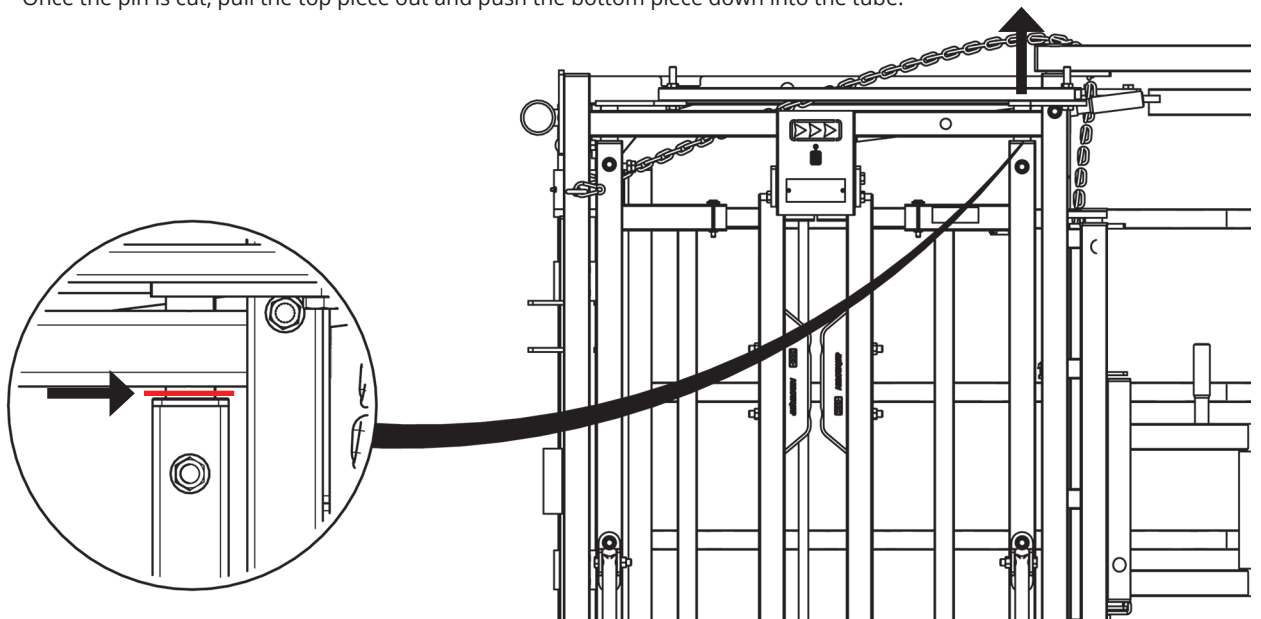
# CALVING PEN PIN REPLACEMENT

## INSTRUCTIONS

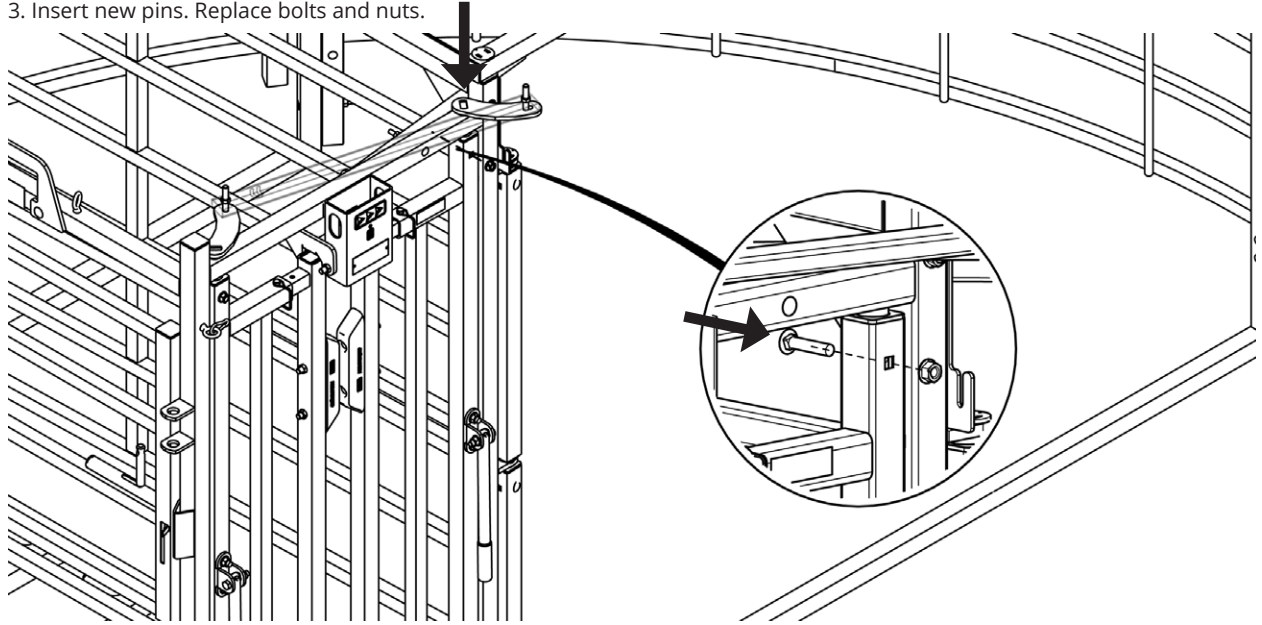
1. To replace the solid maternity pen pins, remove the bolts and nuts that secure the pins to the pen.



2. Pull the pins up and out. If the pins do not come out, they may need to be cut at the red line shown in the image below. Once the pin is cut, pull the top piece out and push the bottom piece down into the tube.



3. Insert new pins. Replace bolts and nuts.



**FURTHER ASSISTANCE**

If you require further information or technical assistance, contact Arrowquip Client Care at 1-866-383-7827 or [cs@arrowquip.com](mailto:cs@arrowquip.com).

