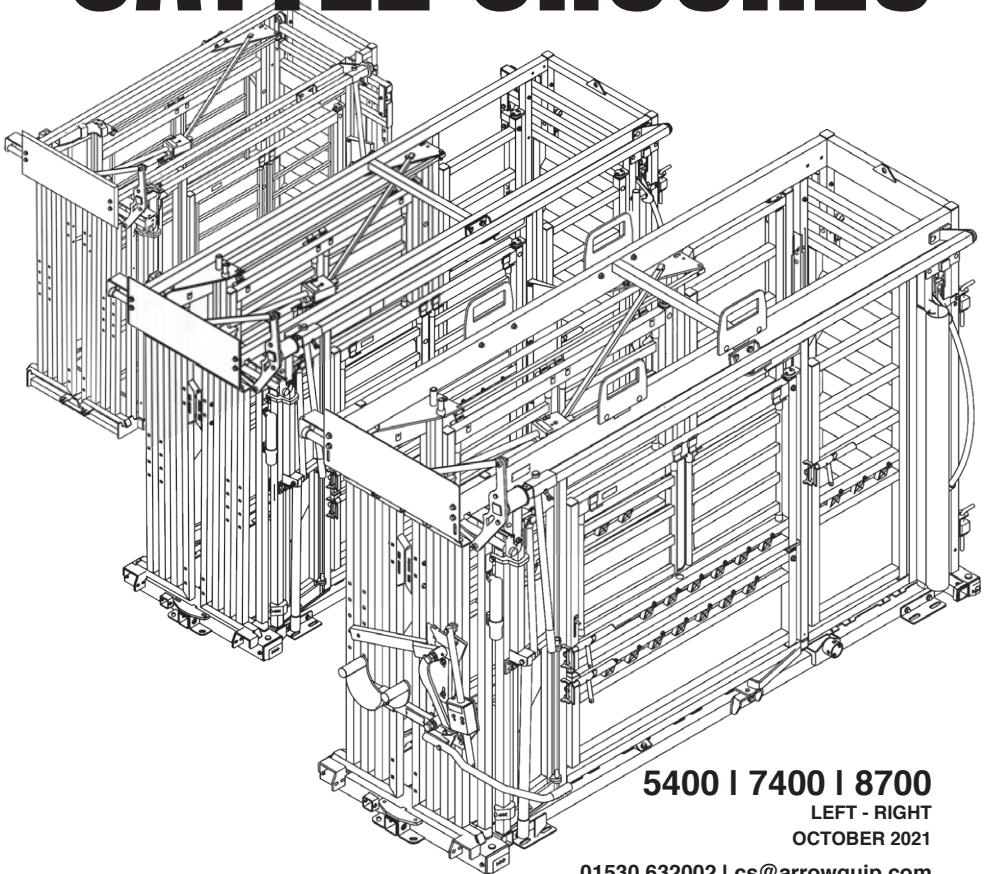




**ARROWQUIP**

**PRODUCT MANUAL**

# **Q-CATCH<sup>®</sup>** **CATTLE CRUSHES**



**5400 | 7400 | 8700**

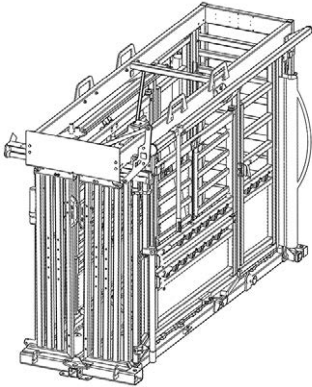
LEFT - RIGHT

OCTOBER 2021

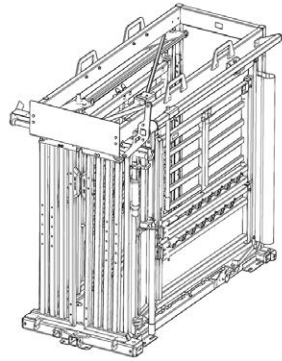
01530 632002 | [cs@arrowquip.com](mailto:cs@arrowquip.com)

[arrowquip.co.uk](http://arrowquip.co.uk)

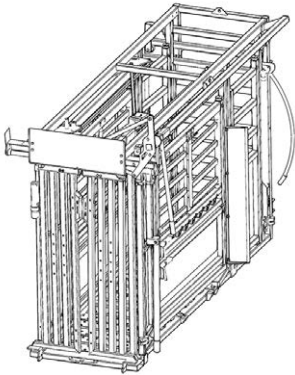
**THIS PRODUCT MANUAL IS FOR THE FOLLOWING PRODUCTS:**



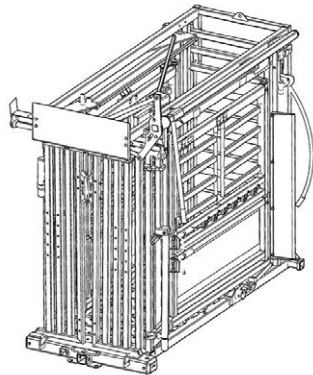
**Q-Catch 87 Series Deluxe Vet**



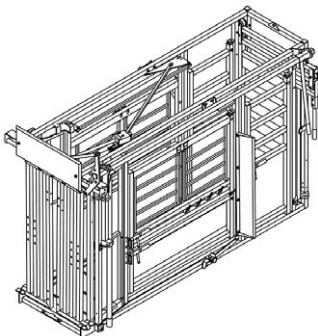
**Q-Catch 87 Series Standard**



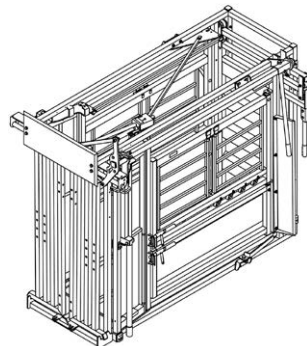
**Q-Catch 74 Series Deluxe Vet**



**Q-Catch 74 Series Standard**



**Q-Catch 54 Series Deluxe Vet**



**Q-Catch 54 Series Standard**

# CONTENTS

---

Safety Precautions	1
Risk Assessment	2
Operating the Q-Catch® Cattle Crush	2
3E Q-Catch Yoke Gate Assembly	3
Emergency Yoke Gate Release	3
Yoke Gate & Squeeze Conversion	5
Rolling Door Switch	17
Recommended Maintenance	20
Regular Maintenance (Every 6 Months)	20
When Necessary	22
Friction Lock Maintenance	22
Troubleshooting Guide	23
Warranty	24
Add-Ons Maintenance & Safety Precautions	25
3rd Generation Head Scoop	25
Sheeted Sternum Bar	26
Clipping Rail	27

**PLEASE FOLLOW ALL SAFETY INSTRUCTIONS PROVIDED IN THIS MANUAL BEFORE OPERATION. ARROWQUIP DOES NOT ACCEPT RESPONSIBILITY FOR ANY ACCIDENTS OR INJURY WHEN THIS SAFETY MANUAL HAS NOT BEEN READ IN FULL AND KEPT WITH THE PRODUCT AT ALL TIMES. OPERATORS OF THIS PRODUCT TAKE AND ACCEPT RESPONSIBILITY FOR ANY HARM OR INJURY TO THE ANIMAL OR OPERATOR WHEN IT PERTAINS TO HOW THE EQUIPMENT IS USED AND MAINTAINED.**

Please keep this manual for frequent reference and to pass on to new users or owners.

## **SAFETY PRECAUTIONS**

---

**PLEASE FOLLOW ALL SAFETY PRECAUTIONS OUTLINED HEREIN. ANY HARM TO THE ANIMAL OR INJURY TO THE OPERATOR WHICH OCCURS DUE TO HOW THE PRODUCT IS OPERATED, OR RESULTING FROM A LACK OF SAFETY PRECAUTIONS ARE THE SOLE RESPONSIBILITY OF THE OPERATOR.**

All farm machinery and equipment are potentially dangerous. Careless use of any Arrowquip livestock equipment may cause injury or damage to persons, cattle, or property. Arrowquip has taken precautions in the design and manufacturing of this product to ensure that it is safe and user-friendly. Therefore, the user must assume all responsibility and risk associated with the possession and use of the cattle crush.



**WARNING: READ BELOW BEFORE OPERATION.**

Ensure the operator understands the contents of this manual before using the cattle crush.

1. **DO NOT** wear loose-fitted clothing.
2. Ensure the cattle crush is on a firm, level, dry surface that is free of rocks and other trip hazards. A level concrete pad flush with the ground and with the crush bolted to the concrete is strongly recommended.
3. **DO NOT** enter the vet cage until the animal is secured in the yoke gate and the rump bar has been placed so that the cow cannot back up.
4. **DO NOT** stand in front of the yoke gate while operator is moving the cattle through the cattle crush.
5. **DO NOT ALLOW CHILDREN UNDER THE AGE OF 18 NEAR AN OPERATING MACHINE.**
6. Follow safe cattle handling procedures in other areas of the yard so that cattle are more docile in the crush.

7. **DO NOT** make any modifications to Arrowquip equipment. Non-factory modifications to the equipment can reduce the safety for the operator & livestock, and void warranty.

## **RISK ASSESSMENT**

---

Conduct a risk assessment on procedures for which the cattle crush used and establish a safe work procedure.

1. Ensure all users of the equipment have been inducted and comply with safe working procedure.
2. Please ensure that there are NO large or hazardous objects inside the crush that may cause injury to the animal or operator, or may cause the equipment to malfunction.
3. Make sure that your crush has been cleared of ALL livestock after use.
4. Some chemicals and medicines can damage powder coat. Take all precautions and wash after use.

## **OPERATING THE Q-CATCH CATTLE CRUSH**

---



**ENSURE ALL CRUSH FUNCTIONS AND ADD-ONS ARE WORKING PROPERLY BEFORE OPERATING.**

1. Ensure the yoke gate, rear gate, and all access points are closed before the animal enters the crush.
2. Open rear gate for the animal to enter the cattle crush enclosure.
3. Close rear gate.
4. Open yoke gate slightly more than the neck size of the animal to tempt the animal to stick its head through the yoke gate. When neck of animal is in the correct position, quickly close the yoke gate securely on the animal's neck.
5. If required, side squeeze animal and engage head restraint to restrain further movement.
6. If the animal applies excessive pulling pressure on yoke gate, it is recommended to use the anti-backing bar behind cattle rump.



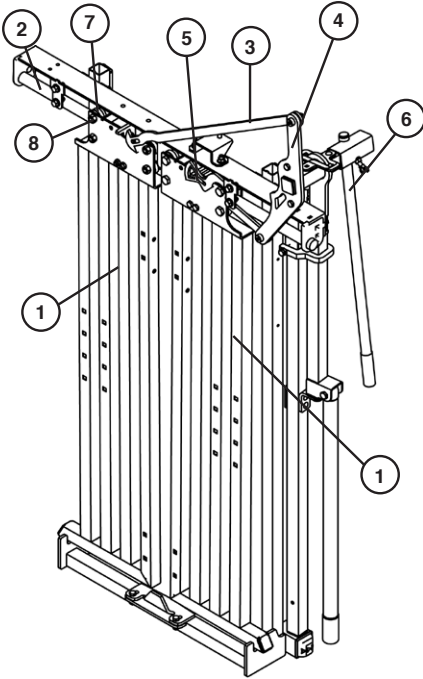
**CONFIRM ANIMAL IS SECURELY HELD BEFORE CARRYING OUT ANY HUSBANDRY WORK.**

# 3E Q-CATCH YOKE GATE ASSEMBLY

Your crush will come with the yoke gate fully assembled and ready for use. However, if you need to disassemble your yoke gate for any reason, the following guide will help you to properly reassemble your crush.

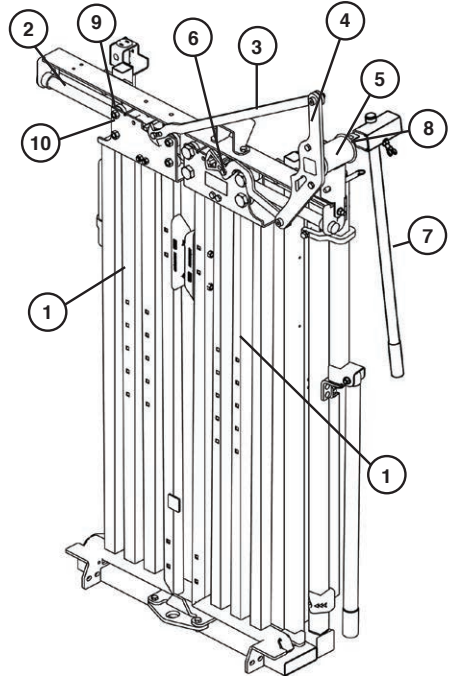
## ASSEMBLING THE Q-CATCH YOKE GATE

Fit the mechanism parts as shown in the diagram below.



### Q-CATCH 54 MODELS

1. Q-CATCH DOOR
2. Q-CATCH TRACK SHAFT
3. LONG HAMMER
4. SQUEEZE ARM PLATE
5. SHORT HAMMER
6. Q-CATCH CONTROL HANDLE
7. Q-CATCH ROLLER
8. Q-CATCH ROLLER BOLT



### Q-CATCH 87 & 74 MODELS

1. Q-CATCH DOOR
2. Q-CATCH TRACK SHAFT
3. LONG HAMMER
4. SQUEEZE ARM PLATE
5. CONTROL TOWER DOM TUBE
6. SHORT HAMMER
7. Q-CATCH CONTROL HANDLE
8. REAR CONTROL BAR STOPPER
9. Q-CATCH ROLLER
10. Q-CATCH ROLLER BOLT

# EMERGENCY YOKE GATE RELEASE

---

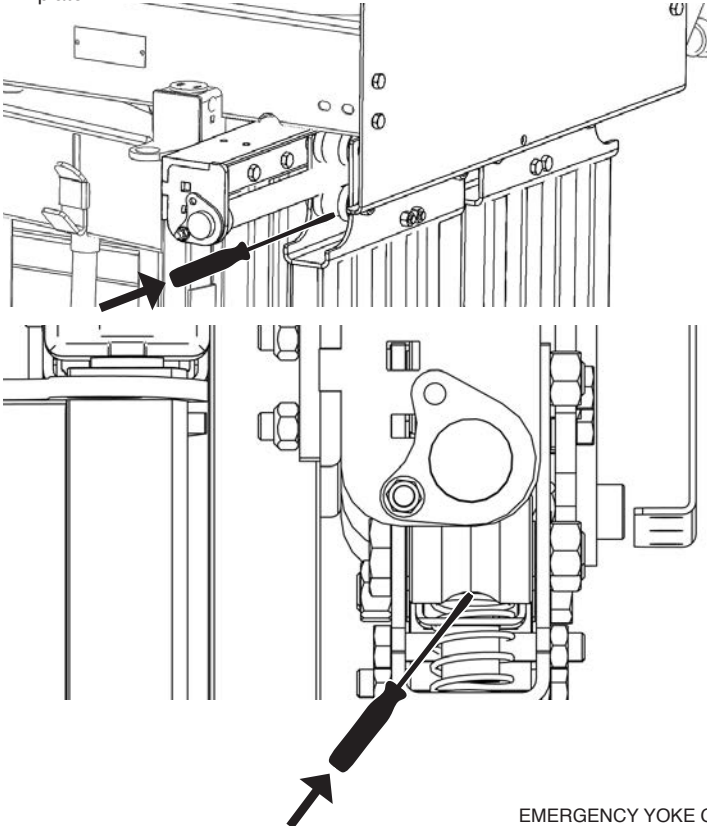
Arrowquip squeeze crushes are designed to ensure the safety of both animal and operator. **With proper maintenance, the yoke gate will not jam under pressure.** However, in the rare event that an animal becomes stuck in the yoke gate, the following guidelines will ensure you are able to release your animal quickly and safely.

## Required Tools:

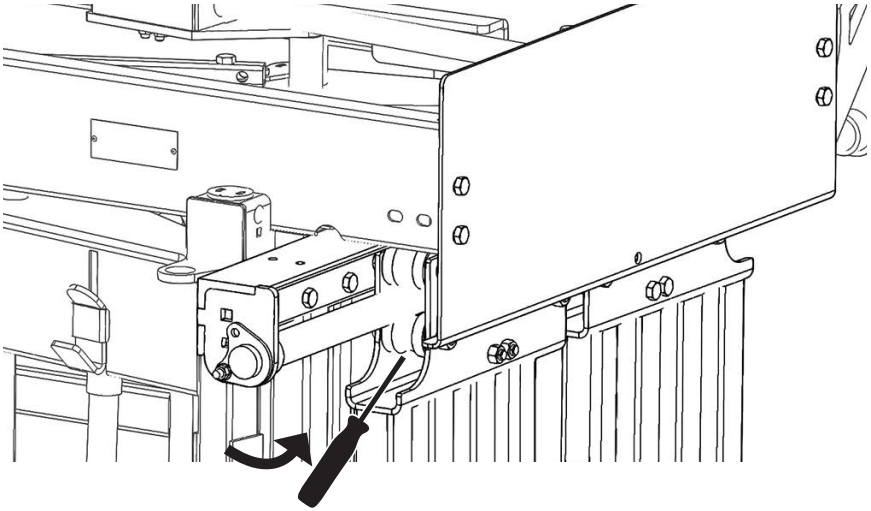
- Screw Driver/Pry Bar

## STEPS TO RELEASE LOCK

- 1** Go to the offside of the crush, to ensure you will not be hit by the yoke gate handle. If your crush is designed for offside operation, you will need to go to the nearside of the crush.
- 2** Place screwdriver/pry bar under bottom yoke gate roller on the outer edge of the door.
  - a. This is the side with the “L” curve, not the straight side.
- 3** Insert screwdriver/pry bar into the small space above the spring in the yoke gate lock plate.



- 4** Tilt the screwdriver/pry bar up and into the yoke gate roller. This will push down the spring, releasing the locking mechanism on the yoke gate door.

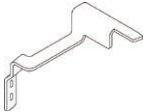
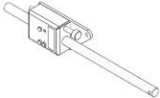


## YOKE GATE & SQUEEZE CONVERSION

Only applicable to Q-Catch 87 and 74 Series Models. **The Q-Catch 54 Series cannot be converted and must be ordered with the appropriate working side from the factory.**

Arrowquip squeeze crushers can be ordered based on your preferred operating side. In the rare event that you would need to operate the yoke gate and squeeze on the opposite side, please contact your local dealer for additional parts and follow these instructions.

### ADDITIONAL PARTS TO ORDER

	Left-Hand Product Code	Right-Hand Product Code
Squeeze Fandangle 	2003192	2003716
Squeeze Lockbox 	2000355	2002384

### Required Tools:

- 9/16" wrench
- 15/16" wrench
- 3/4" wrench
- 3/8" hex key



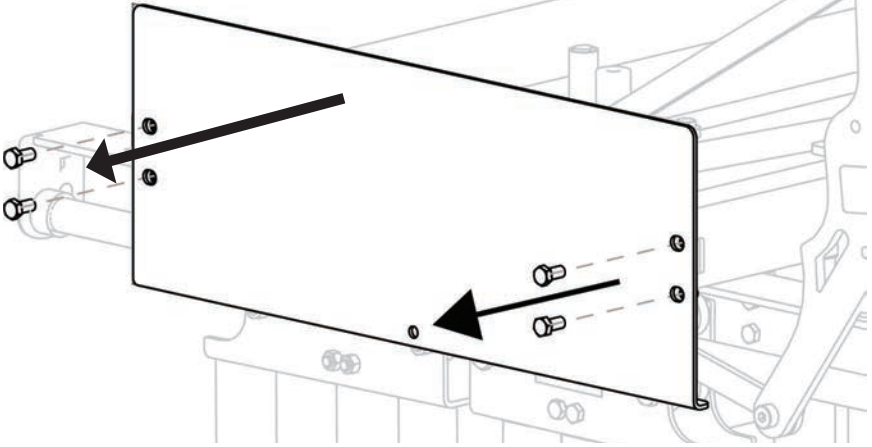
## LEFT-HAND TO RIGHT-HAND

NOTE: Switching from Left-hand to Right-hand operation shown. For Right-hand to Left-hand operation, complete the steps from the opposite side.

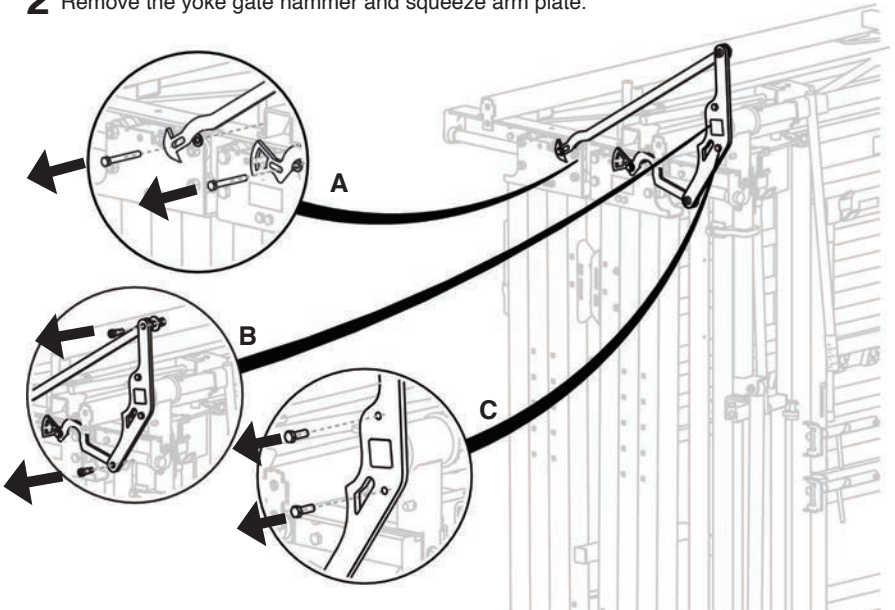
**\*\* REMINDER \*\***

**SET PARTS ASIDE TOGETHER WITH THE CORRESPONDING BOLTS AND WASHERS.**

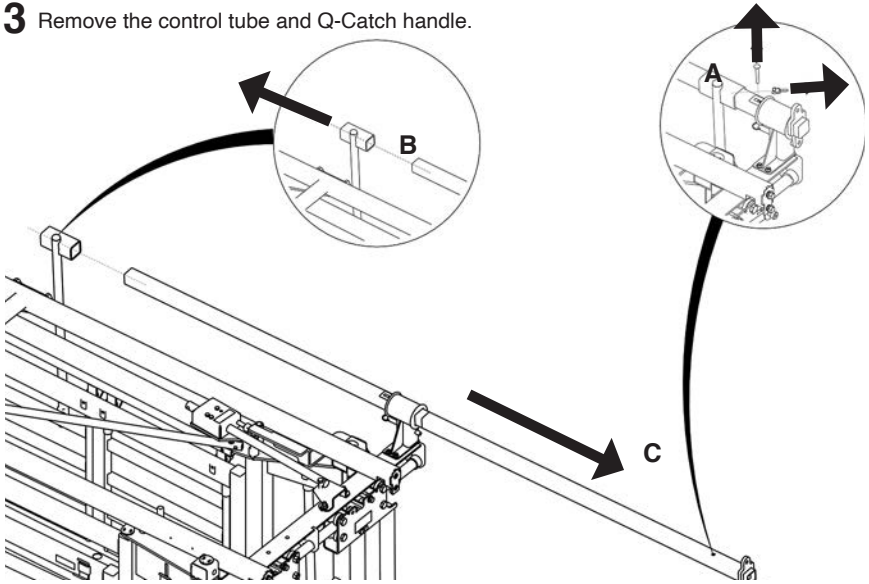
**1** Remove the Q-Catch shield.



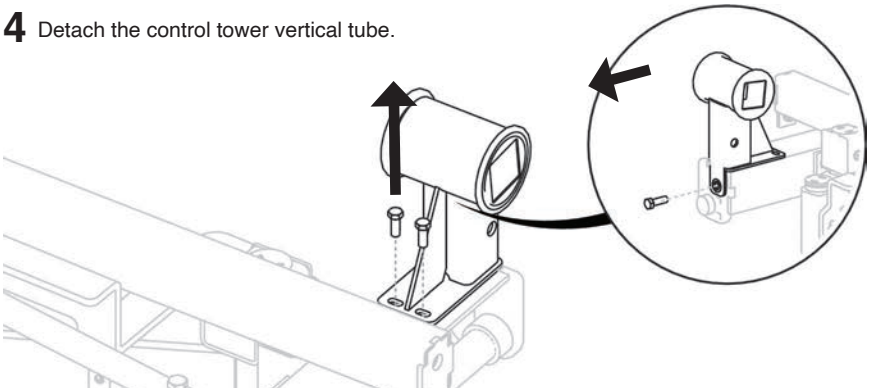
**2** Remove the yoke gate hammer and squeeze arm plate.



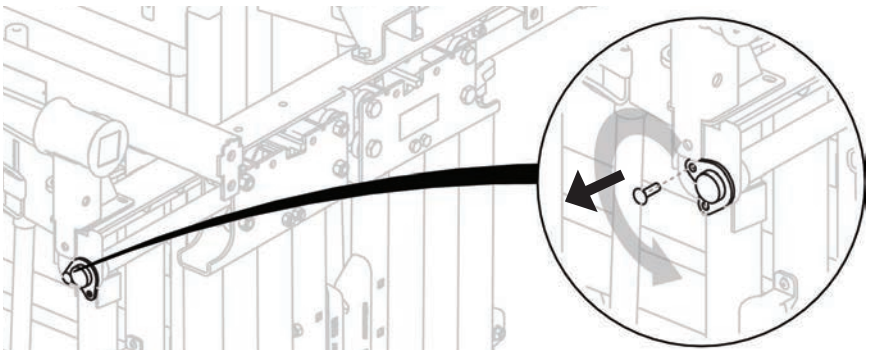
**3** Remove the control tube and Q-Catch handle.



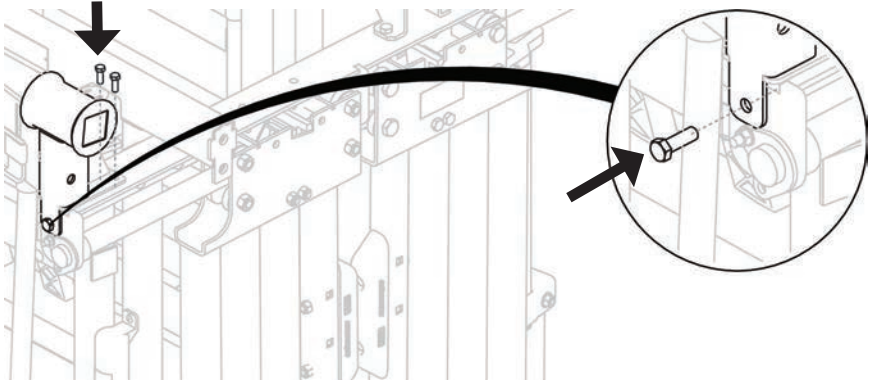
**4** Detach the control tower vertical tube.



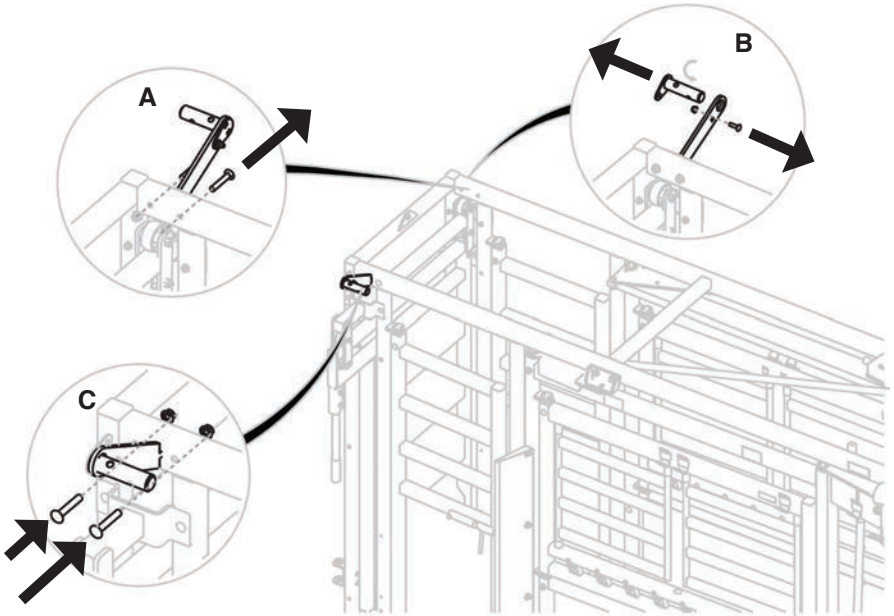
**5** Unbolt the shaft, rotate to align with the second hole, and secure.



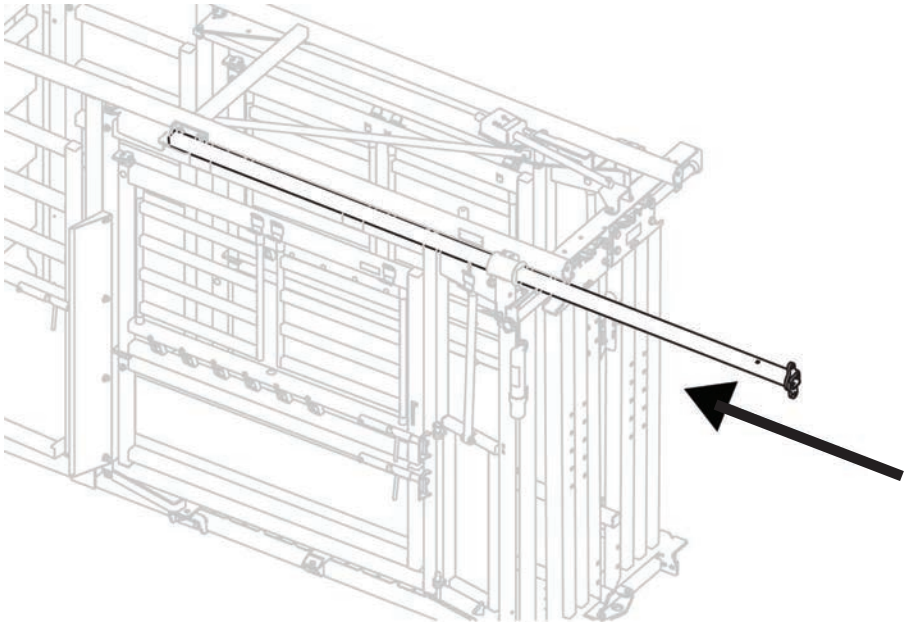
**6** Install the control tower vertical tube and fasten with bolts.



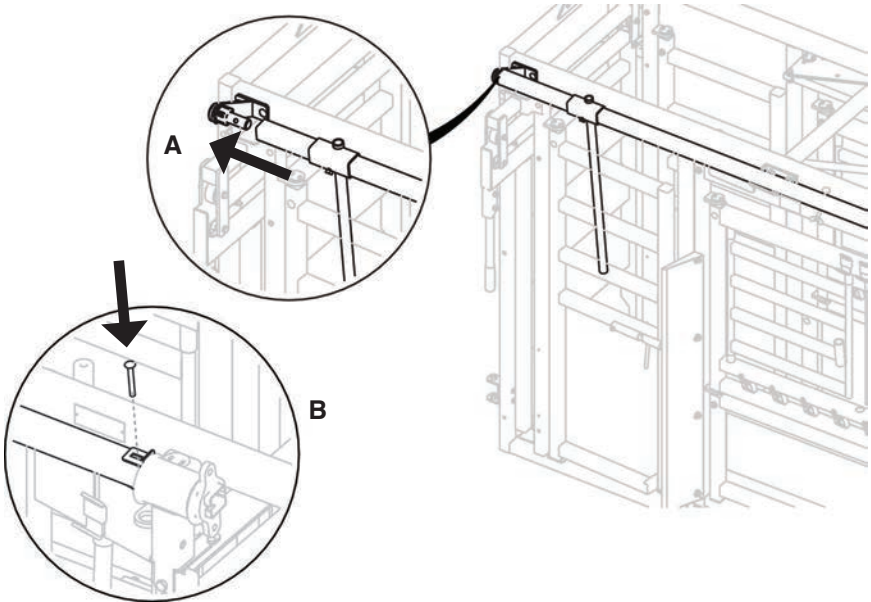
**7** Flip the axle pin on the rear control bracket and transfer it to the opposite side.



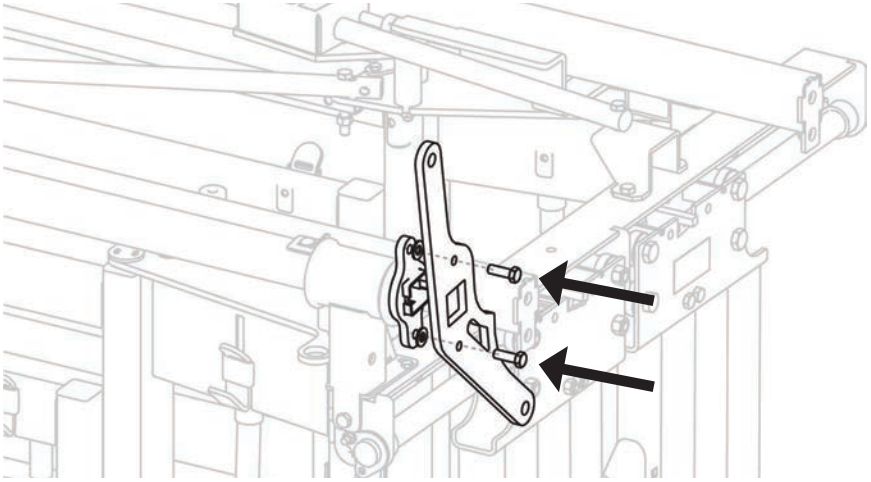
- 8** Feed the control tube through the control tower vertical tube.



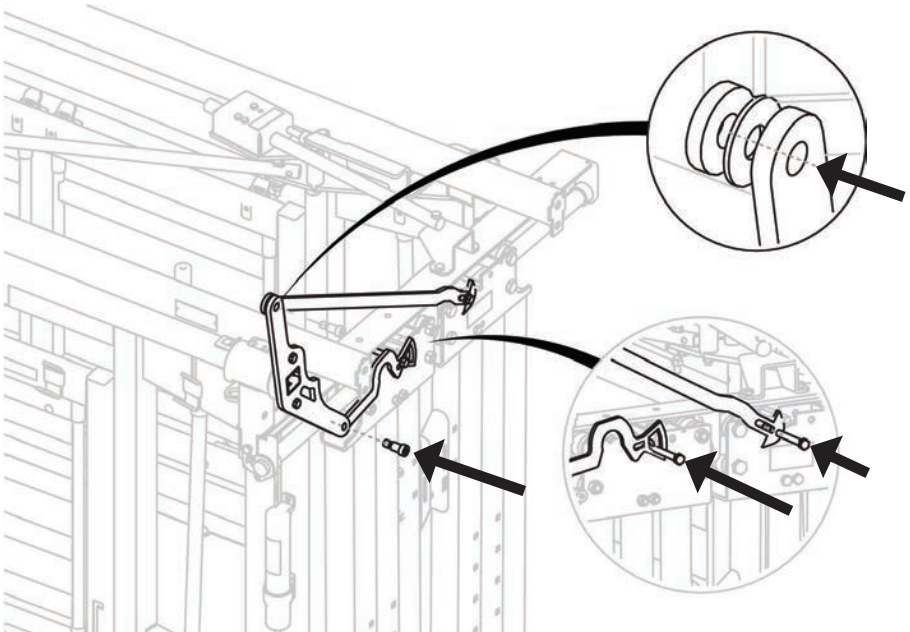
- 9** Insert the Q-Catch handle and mount the control tube on the rear control bracket. Secure with a bolt on the opposite side.



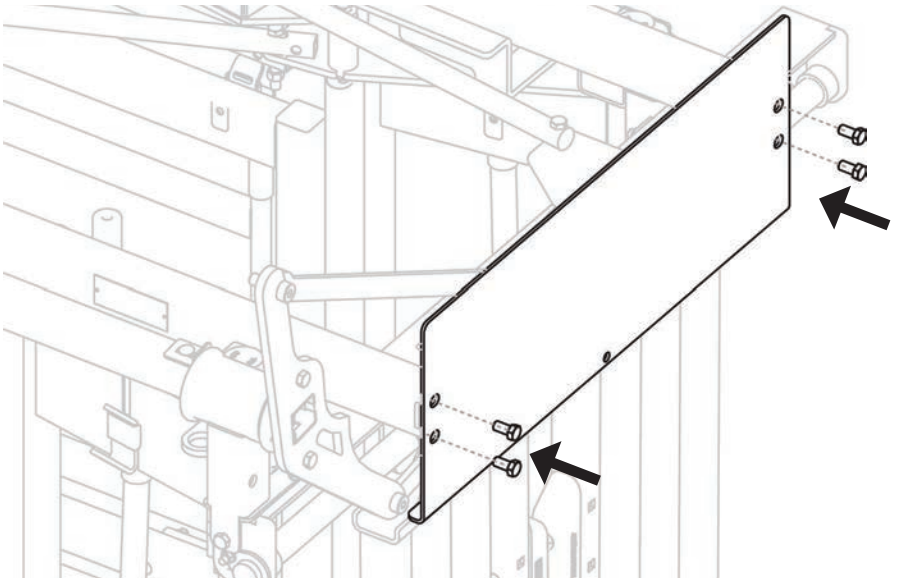
**10** Install the squeeze arm plate.



**11** Install the yoke gate hammer and connect it to the squeeze arm plate.

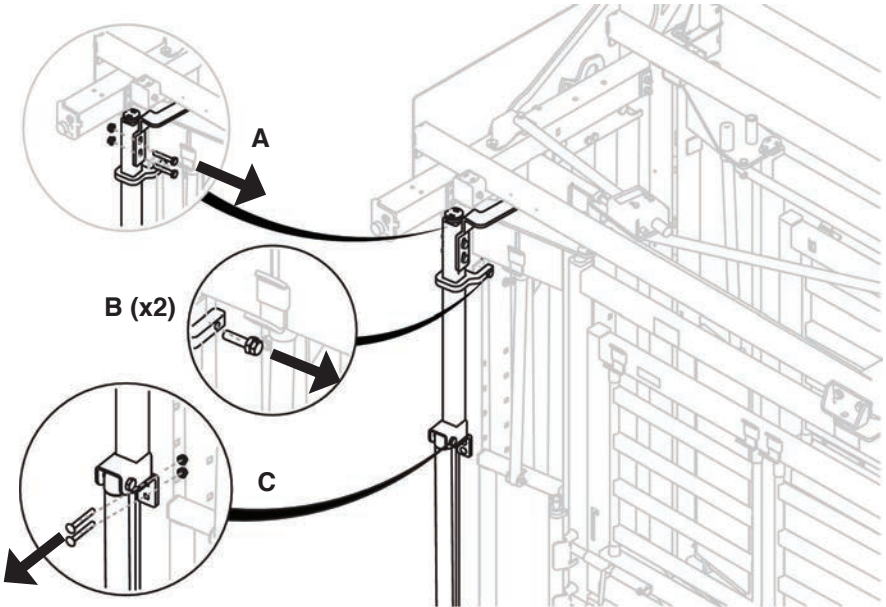


**12** Install the Q-Catch shield.

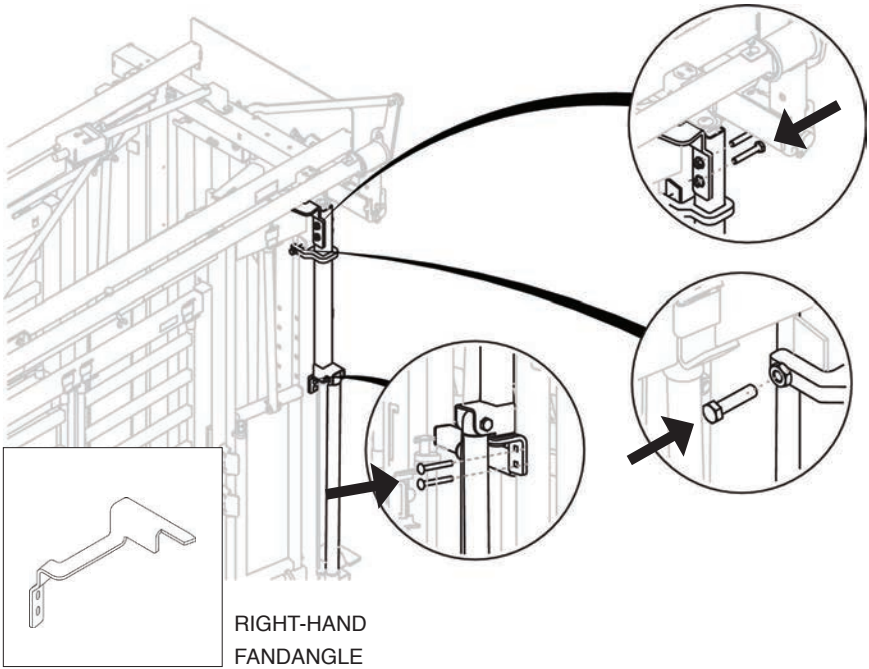


**STOP** SQUEEZE THE CRUSH TO REMOVE THE FANDANGLE.

**13** Remove the Left-hand fandangle and squeeze bracket.



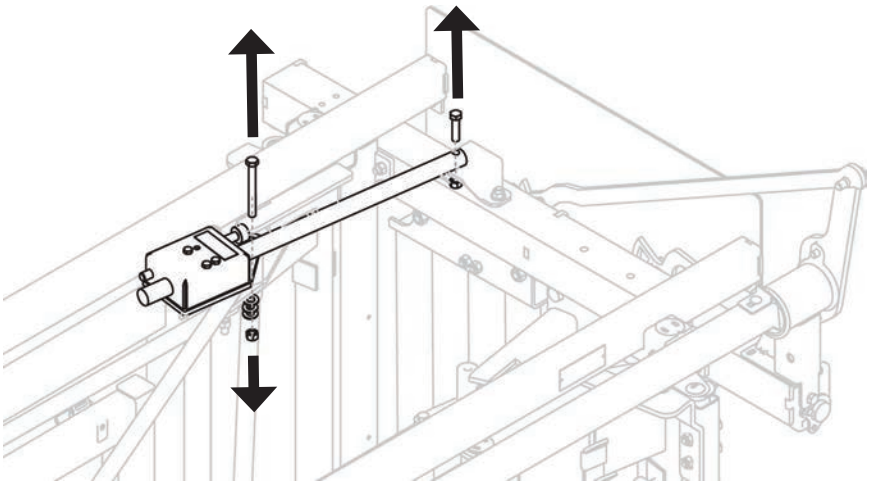
**14** Install the squeeze bracket and Right-hand fandangle on the opposite side.



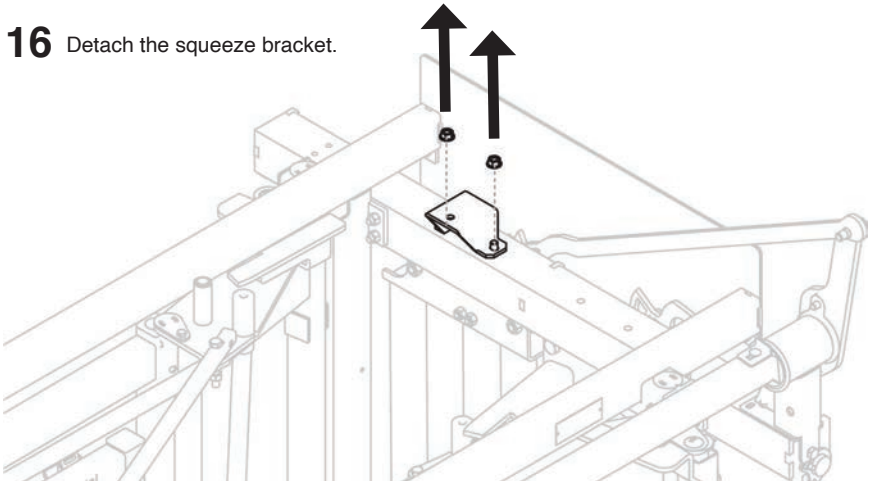
**STOP**

**DO NOT TIGHTEN BOLTS UNTIL STEP 22**

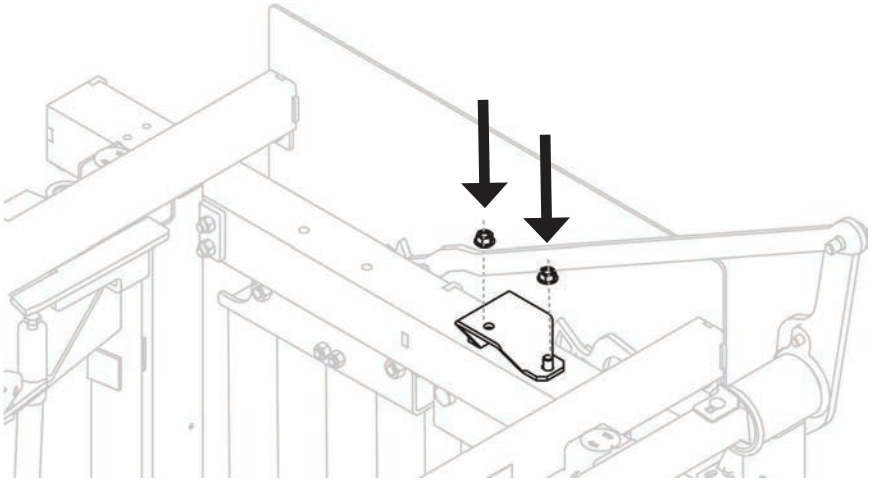
**15** Unmount the Left-hand squeeze lockbox. Set aside.



**16** Detach the squeeze bracket.

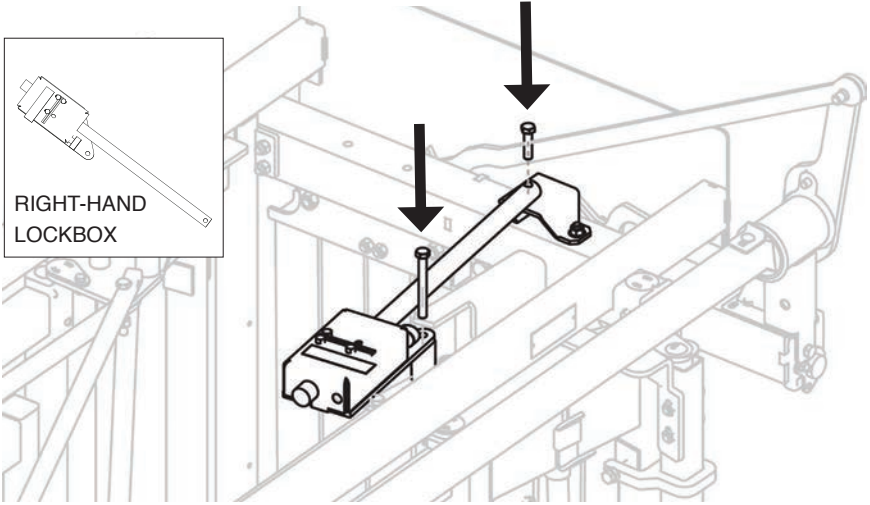
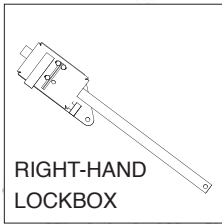


**17** Transfer the squeeze bracket to the opposite side.

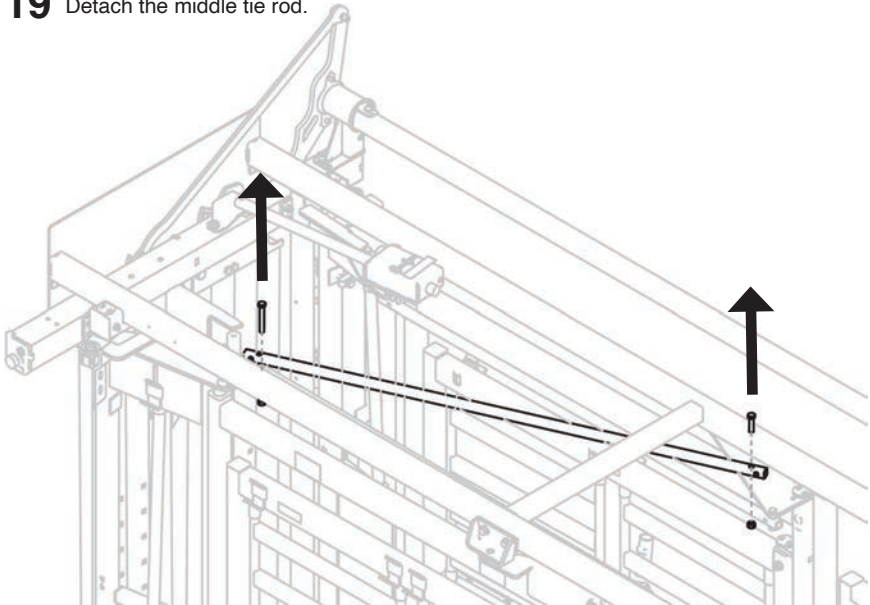




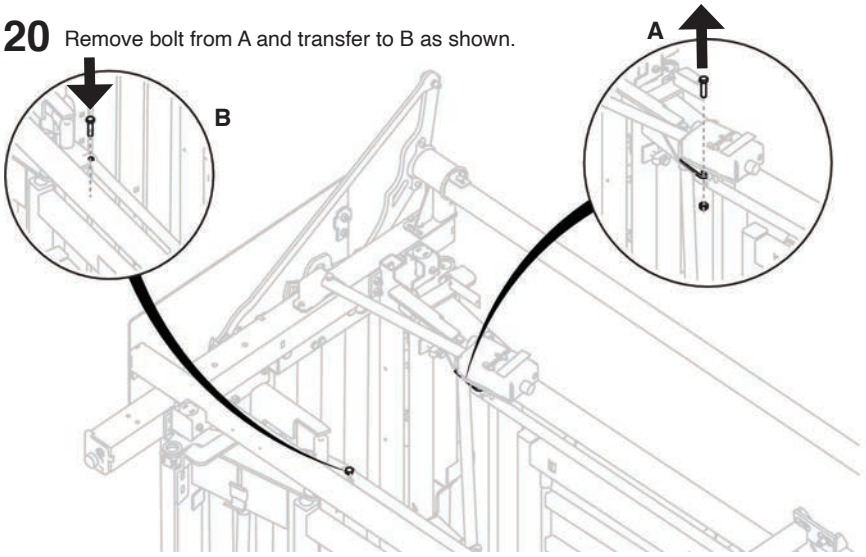
**18** Mount the Right-hand squeeze lockbox.



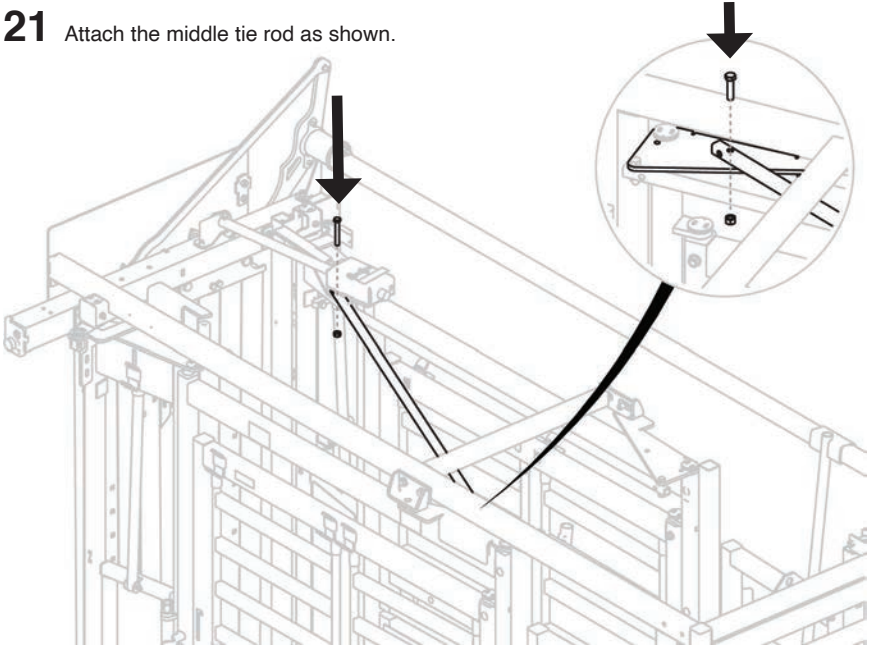
**19** Detach the middle tie rod.



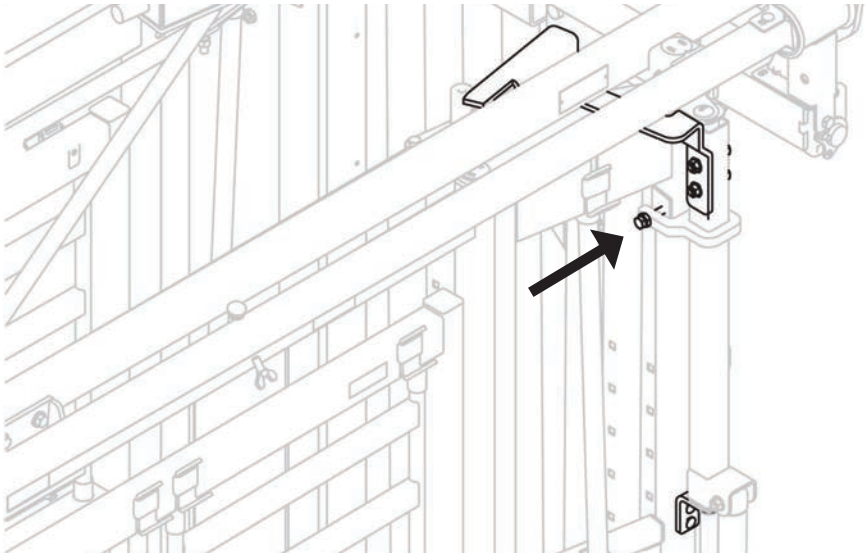
**20** Remove bolt from A and transfer to B as shown.



**21** Attach the middle tie rod as shown.



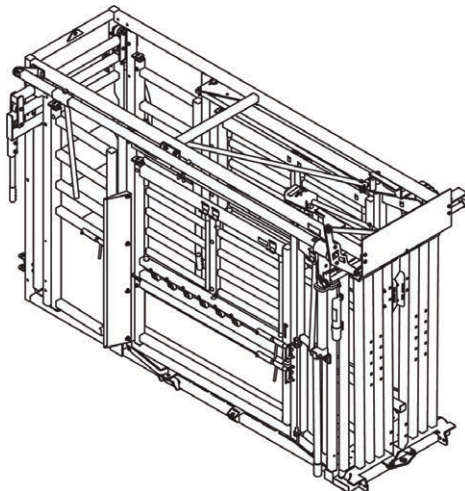
## 22 Secure bolts on the squeeze bracket and fandangle.



**STOP**

### BEFORE WORKING WITH ANIMALS, SAFETY CHECK:

- ✓ All parts have been reinstalled correctly
- ✓ All crush functions, including the yoke gate and squeeze mechanisms, are working properly.
- ✓ All bolts are tightened correctly
- ✓ Any bolts securing moving parts should be able to rotate freely



# ROLLING DOOR SWITCH

---

## Required Tools:

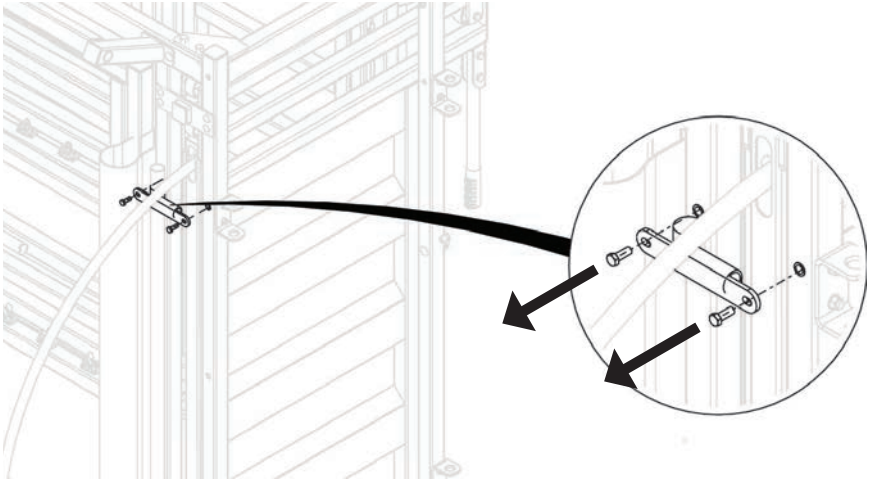
- 9/16" wrench
- 2x 3/4" wrench

## LEFT-HAND TO RIGHT-HAND

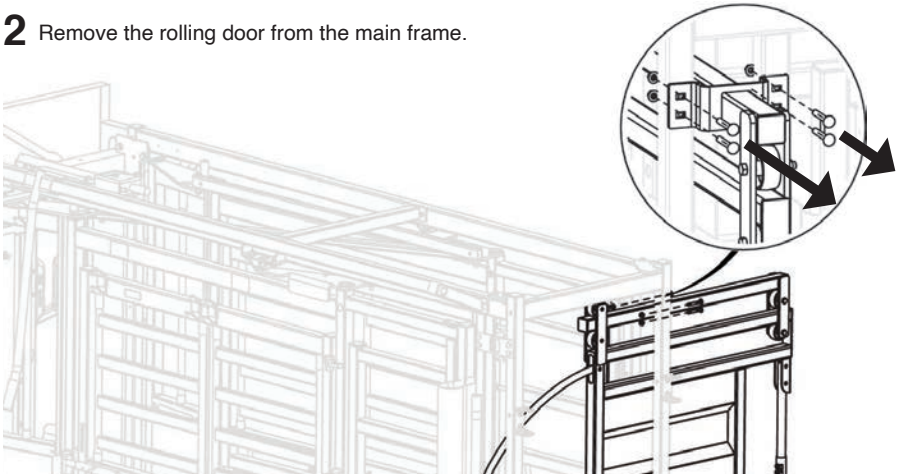
Switching from Left-hand to Right-hand operation shown. For Right-hand to Left-hand operation, complete the steps from the opposite side.

Variation with 4 screws on each plate shown. Same steps apply for rolling doors with 2 screws on each plate.

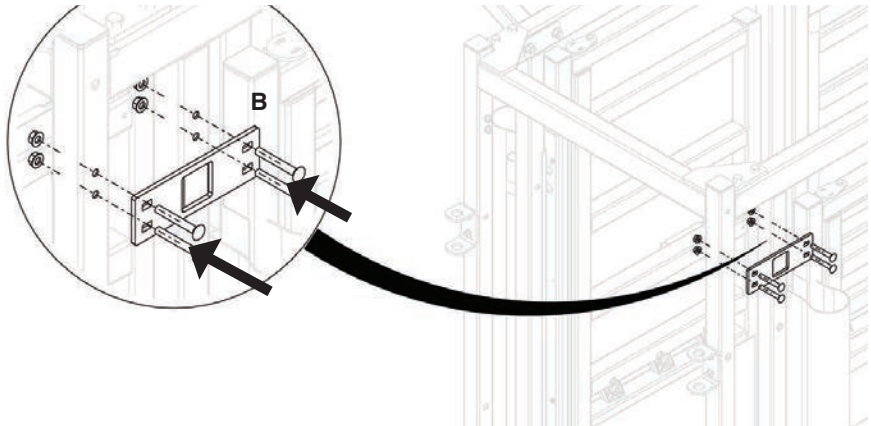
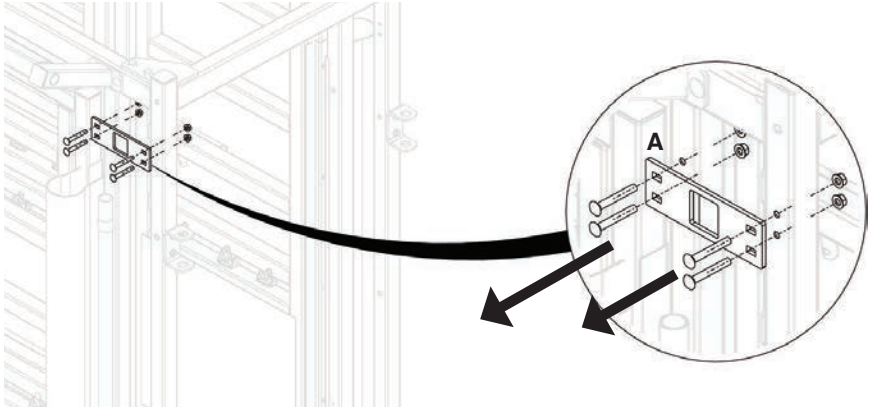
- 1** Remove rolling door handle slider.



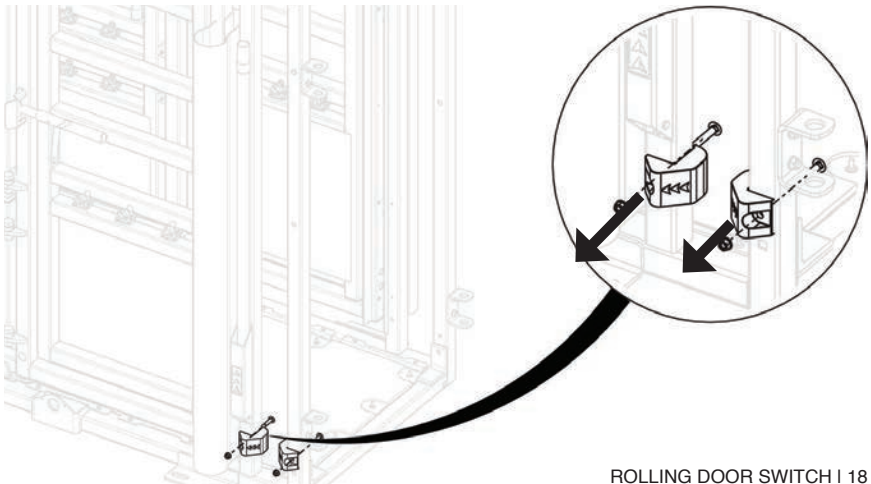
- 2** Remove the rolling door from the main frame.



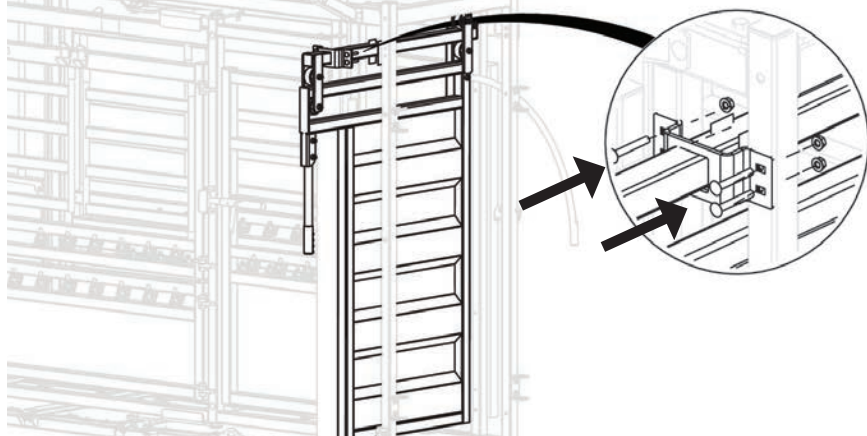
**3** Remove the rolling door track plate, and switch to the opposite side.



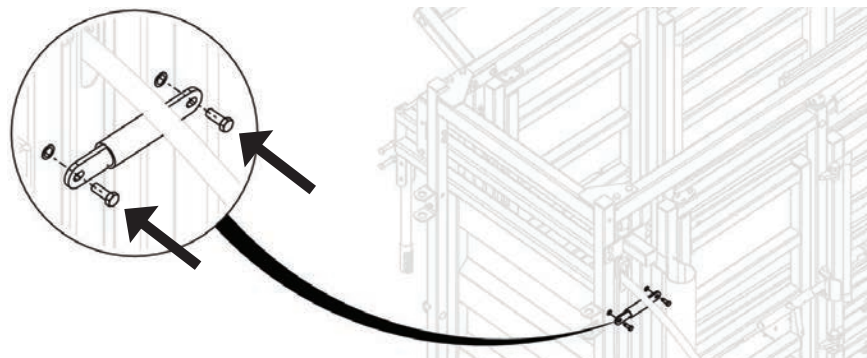
**4** Remove the rolling door bumpers and move to the opposite side



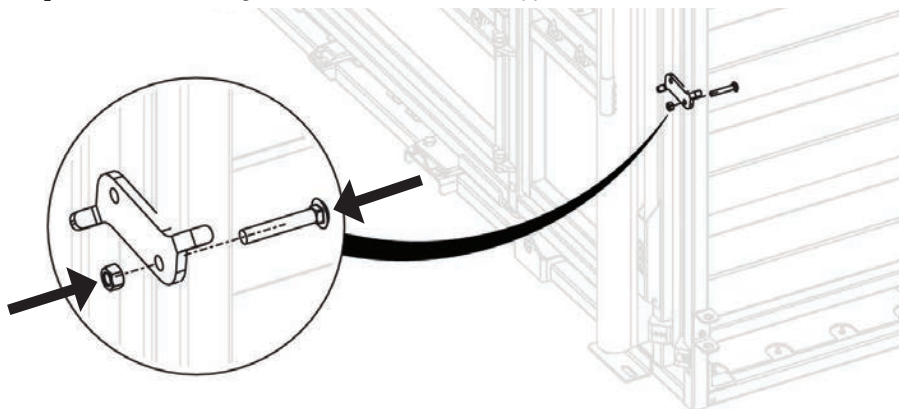
**5** Install the rolling door and secure to the main frame.



**6** Install the rolling door handle slider on the right-hand side.



**7** Remove the rolling door lock and move to the opposite side.



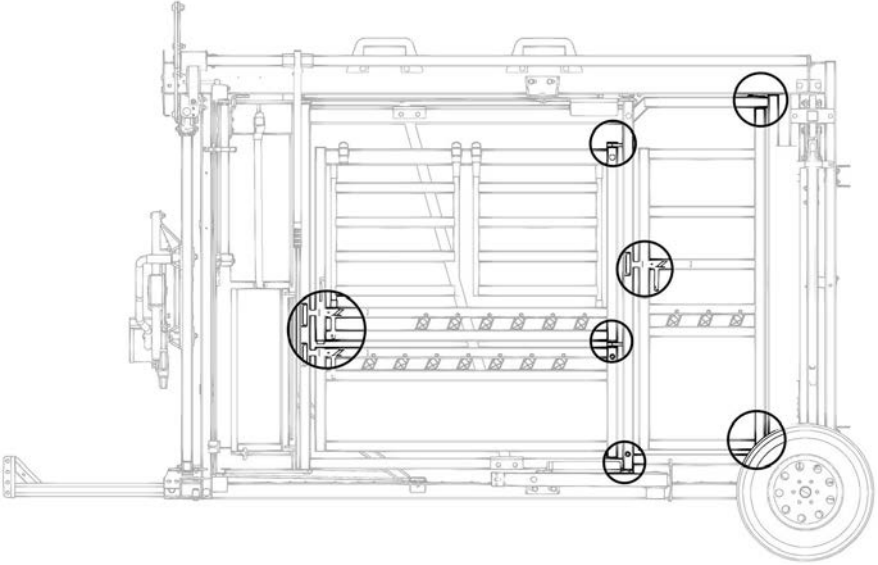
# RECOMMENDED MAINTENANCE

---

All Arrowquip Products are made with precision parts to require minimal maintenance. However, regular maintenance will keep your equipment running smoothly and safely.

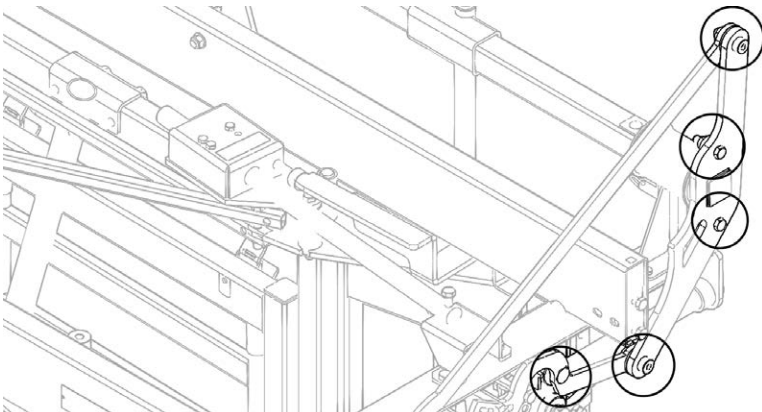
## REGULAR MAINTENANCE (EVERY 6 MONTHS)

- ✓ **Inspect the entire unit.** Ensure all moving components are free of debris and functioning properly. Use proper cleaning and troubleshooting steps, if necessary.
- ✓ Lubricate slam latches and door hinges with WD-40 Dry Lube.

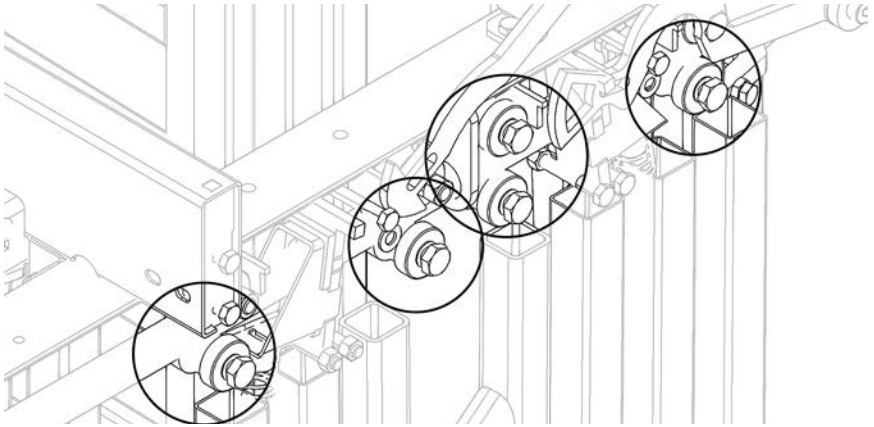


- ✓ Check gate latches and striker plates for wear. Ensure gates are locking securely.
- ✓ Inspect the yoke gate.

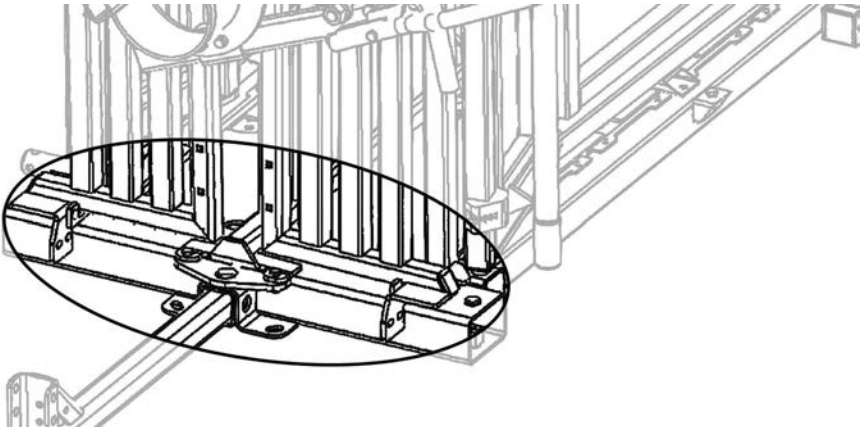
- a. Bolts on the yoke gate hammers should be tensioned correctly. There should be enough play for the hammers to move freely in their slots.



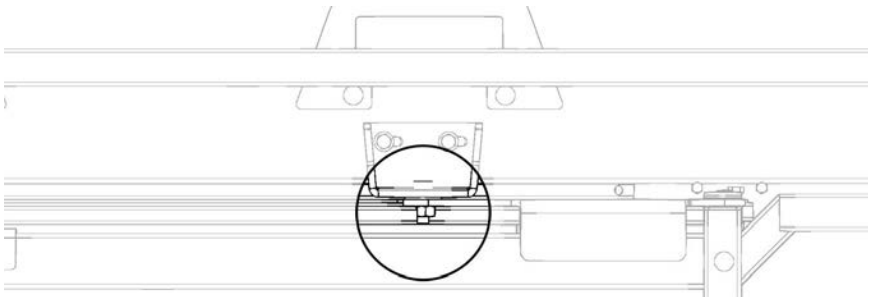
- b. You should feel the yoke gate rollers moving when you open the yoke gate. The rollers should be tight enough to be moved by hand, but not over-tight to cause the rollers to bind.



- ✓ Clean bottom yoke gate door track to prevent dirt-build-up.



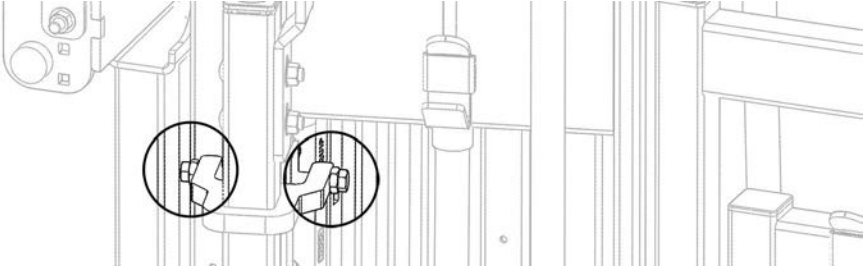
- ✓ Clean the crush floor. Excess build-up of manure or dirt inside crush can cause the squeeze and yoke gate to malfunction.
- ✓ Check main squeeze pivot bolt for wear.



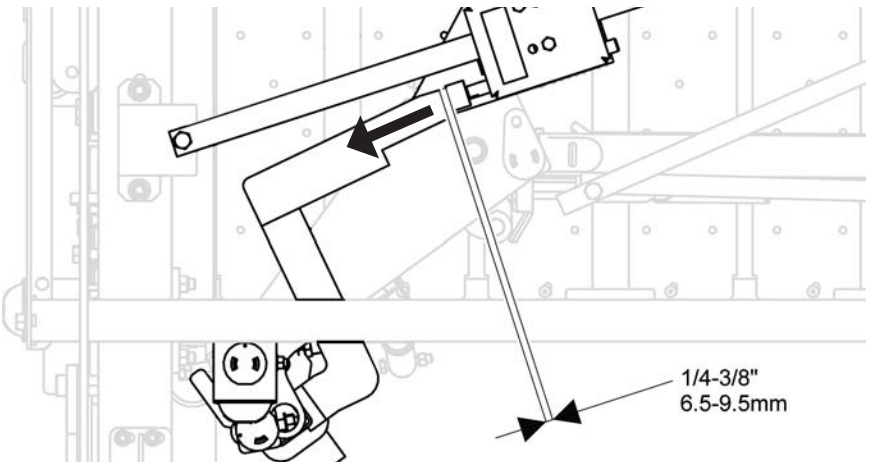


## WHEN NECESSARY

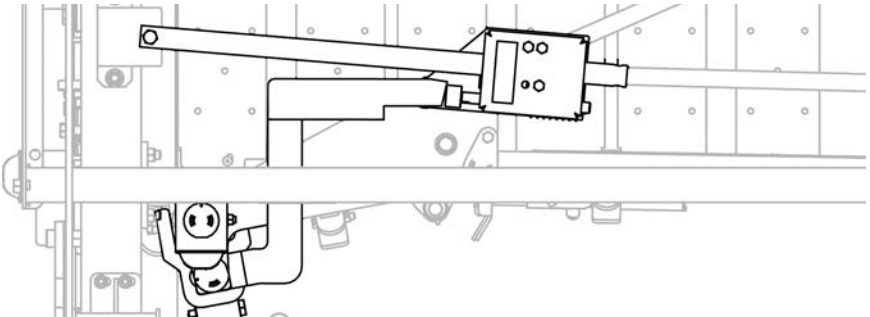
1. Clean the unit to remove excess build-up or dirt.
2. Adjust the squeeze lock settings.
  - a. Loosen jam nuts, and back out front and rear bolts.



- b. Push/pull the squeeze handle to get a visual of the release pin.
- c. Apply inward pressure on the squeeze handle. Adjust rear bolt until there is 1/4" - 3/8" gap between the fandangle and release pin.



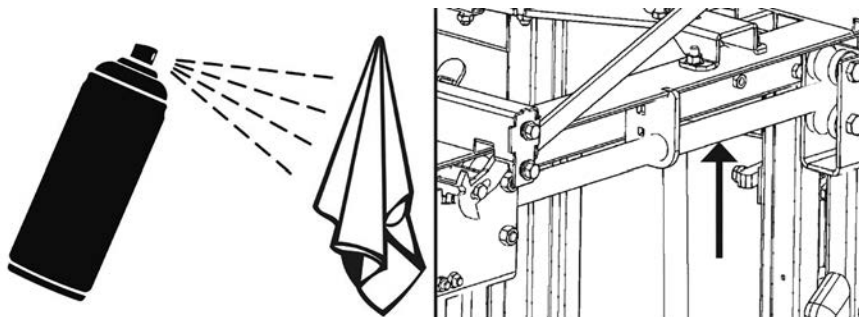
- d. Apply outward pressure on the squeeze handle. Adjust the front bolt until the fandangle presses the lock box release pin 1/4" - 3/8" in towards the lock box, which will release the lock mechanism and allow the squeeze to open fully.



- e. When the adjustment is set, re-tighten jam nuts to lock adjustment in place.
  - Tightening = less push
  - Loosening = more push
  - You will not have to push the release pin very far to enable release.

## FRICITION LOCK MAINTENANCE

1. Clean the yoke gate shaft with brake cleaner.
2. Apply WD-40 Dry Lube sparingly **WITH A CLOTH** to the Yoke Gate shaft, only when necessary.



3. Use WD-40 Dry Lube only.
4. Use of other lubricants, including regular WD-40 may cause malfunction or slipping.  
Contact 01530 632002 for assistance.

## TROUBLESHOOTING GUIDE

---

If you have a problem with your Q-Catch squeeze crush, please consider the following tips or call us at 01530 632002.

1. Make sure the unit is situated on level ground or base.
2. Make sure yoke gate door tracks are free of debris.
3. Keep floor clean. Excess build-up of manure or dirt inside crush can cause the squeeze and yoke gate to malfunction.
4. Ensure bolts on the yoke gate are tightened correctly.
  - a. Too tight will cause the locking and releasing of yoke gate doors to malfunction.
  - b. Too loose will cause premature wear on yoke gate parts.
  - c. On the yoke gate, there is a short hammer and a long hammer between the handle pivot and doors. These two hammers have a slot in them – check that there is free movement for the bolt to move the entire length of this slot, and the lock nuts are correctly tightened.

- d. The door hammers also contact the release pins on the lock plates when the yoke gate handle is pulled back. Ensure there is an air gap between levers and release pins when yoke gate is being pushed or in an idle position.
5. Check nuts and bolts on all moving parts to ensure that they are tightened correctly, and are not binding.
6. All pivot points should be lubricated as needed with WD-40 Dry Lube.

## WARRANTY

---

Q-Catch 54 Series Standard & Deluxe Vet Models: 5 Years **or** 10,000 Total Head of Cattle.\*

Q-Catch 74 Series Standard & Deluxe Vet Models: 10 Years **or** 25,000 Total Head of Cattle.\*

Q-Catch 87 Series Standard & Deluxe Vet Models: 15 Years **or** 50,000 Total Head of Cattle.\*

**Your product must be registered to claim warranty**, and to ensure that Arrowquip has the required information to contact you in the event of a product or part recall. Any owner who fails to register their product warranty with Arrowquip through their Authorised Arrowquip Dealer voluntarily voids their warranty. Arrowquip will repair or replace products or parts of a product that prove defective due to manufacturer defect during the Warranty Period, at their sole discretion. This excludes defects resulting from normal wear and tear or product misuse. Warranty does not cover corrosion. NOTE: Any modification, in any fashion, to any Arrowquip equipment immediately voids the product warranty. This includes the parts contained therein.

Eg. If a modification is made to the squeeze mechanism in a cattle crush, and the sternum bar is bent afterwards, warranty for the damaged part, the sternum bar, contained in the modified equipment, the cattle crush, is void. In addition, any remaining warranty for the cattle crush and other parts contained therein, including, but not limited to, the yoke gate, locking system, Q-Catch system, and rollers, is null and void.

**REGISTER FOR WARRANTY NOW:**

**Online:** [arrowquip.co.uk/product-registration](http://arrowquip.co.uk/product-registration)

**Phone:** 01530 632002 | **Email:** [cs@arrowquip.com](mailto:cs@arrowquip.com)

\* Warranty valid for the number of years **or** the number of head outlined above, whichever limit is met first. Follow the recommended use instructions to maximise the lifespan of your equipment. Arrowquip products that have only been used within acceptable tolerance following the stated recommended use will be eligible to claim warranty.

# ADD-ONS MAINTENANCE & SAFETY PRECAUTIONS

## 3rd GENERATION Q-CATCH HEAD SCOOP

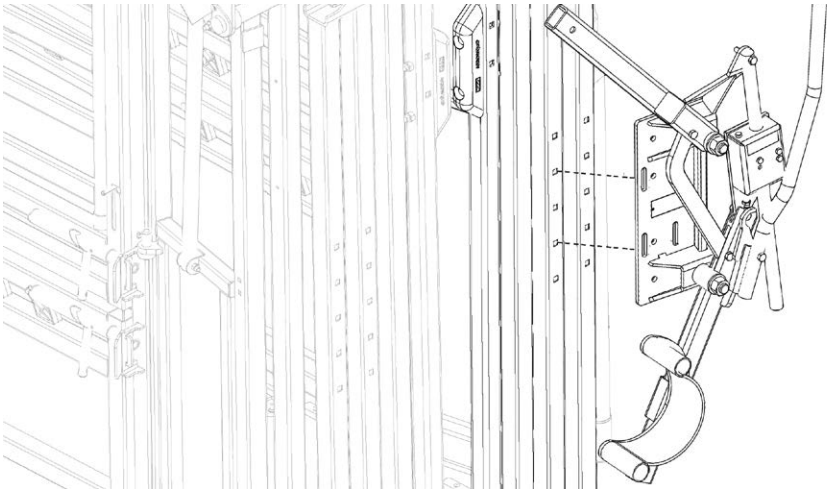
For complete information, read the Head Scoop manual.

### Requirements:

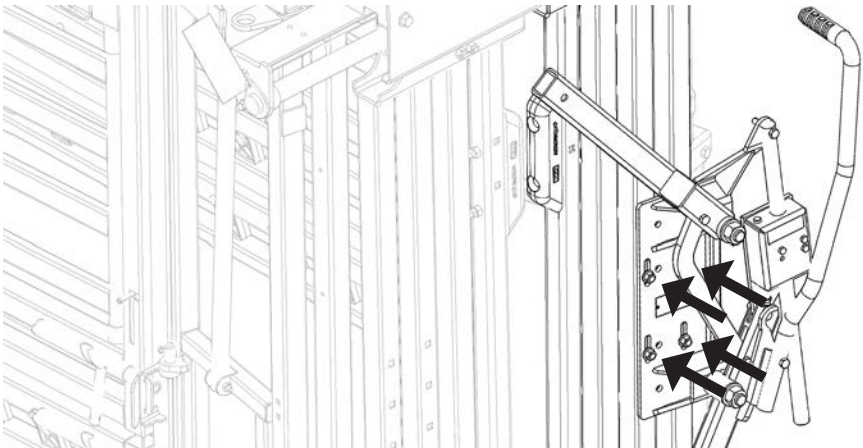
- 2 people
- 3/4" wrench

### Installation:

- 1** a. Insert 4x1/2-13x3" carriage bolts through the yoke gate door from inside the crush.  
b. Align the head scoop to the slots in the yoke gate according to your desired height.



- 2** Secure the head scoop with 4 bolts.



### Safety Precautions:

1. Ensure that the head scoop remains open until required to hold the animal's head.
2. If not in use, use detent pin to hold the head scoop in place.

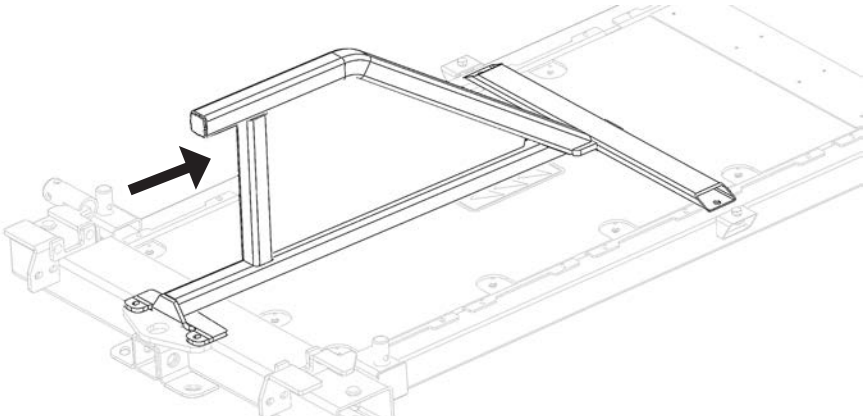
### Maintenance:

1. Add grease through the grease nipples **as needed**.
2. Every 6 months:
  - a. Check bolts to ensure they are tightened properly.
  - b. Spray brake cleaner on a rag and wipe the lockbox shaft while opening and closing the head scoop.

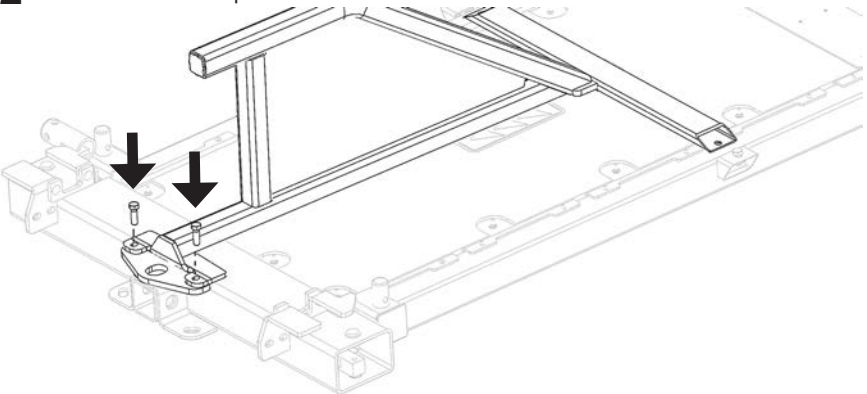
## SHEETED STERNUM BAR

### Installation:

- 1** Insert the sternum bar into the bracket.



- 2** Fasten bolts to front plate.





## SAFETY CHECK:

- ✓ Ensure that the sternum bar is installed correctly before running cattle through the crush.

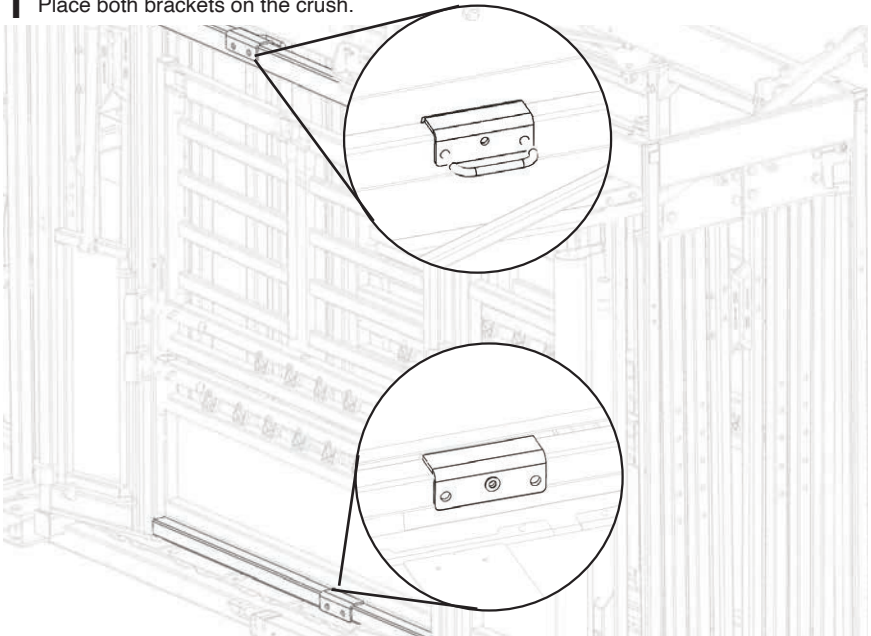
### Safety Precautions:

1. Remove the sternum bar when working calves.

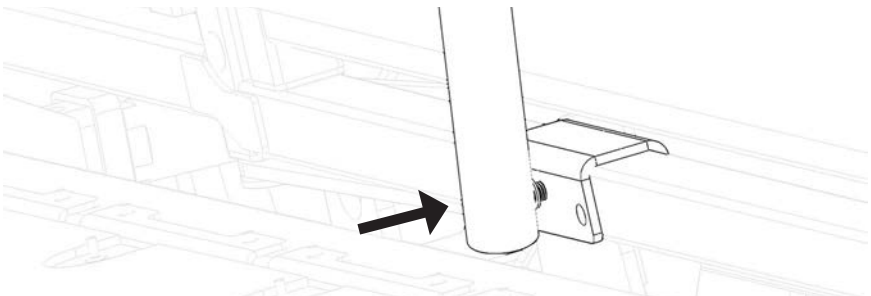
## CLIPPING RAIL [AVAILABLE ON WORKING SIDE ONLY ON THE Q-CATCH 54 SERIES CATTLE CRUSH]

### Installation:

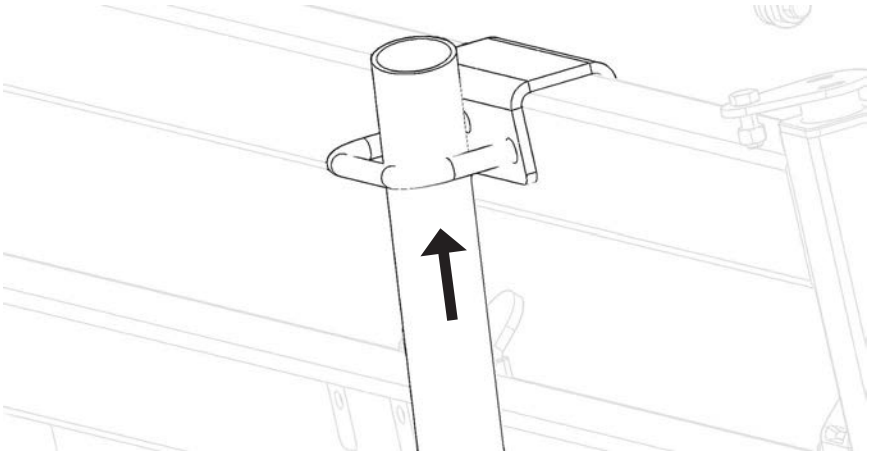
- 1 Place both brackets on the crush.



- 2 Attach the clipping rail to the bottom bracket.



**3** Insert the clipping rail into the top bracket.



**4** Adjust clipping rail position to your preference. Tighten bolts to secure.

**Safety Precautions:**

1. Ensure the clipping rail is installed and secured correctly before running cattle through the crush.



**ARROWQUIP**

If you have any questions regarding your product or require assistance, please contact Arrowquip's Client Care Team at 01530 632002 or by email at [cs@arrowquip.com](mailto:cs@arrowquip.com).